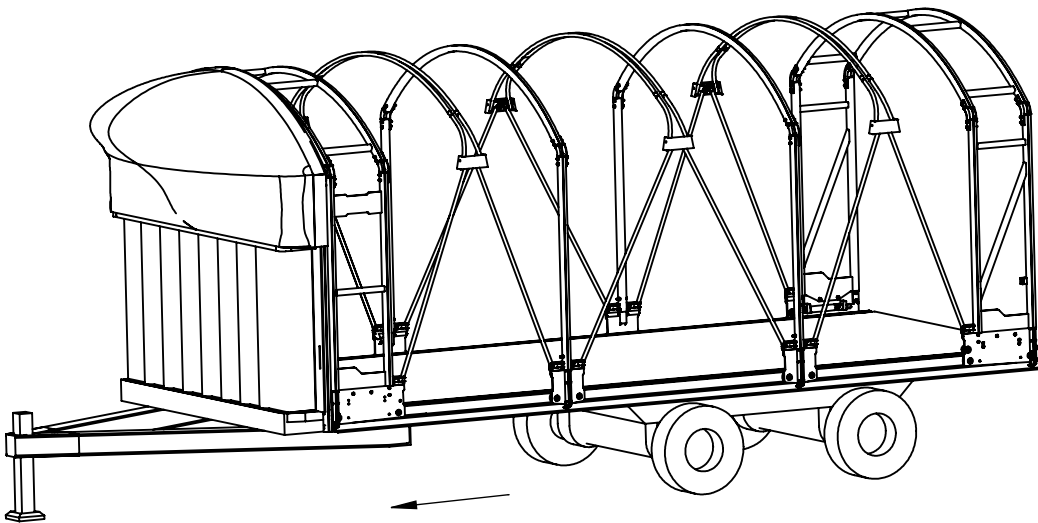
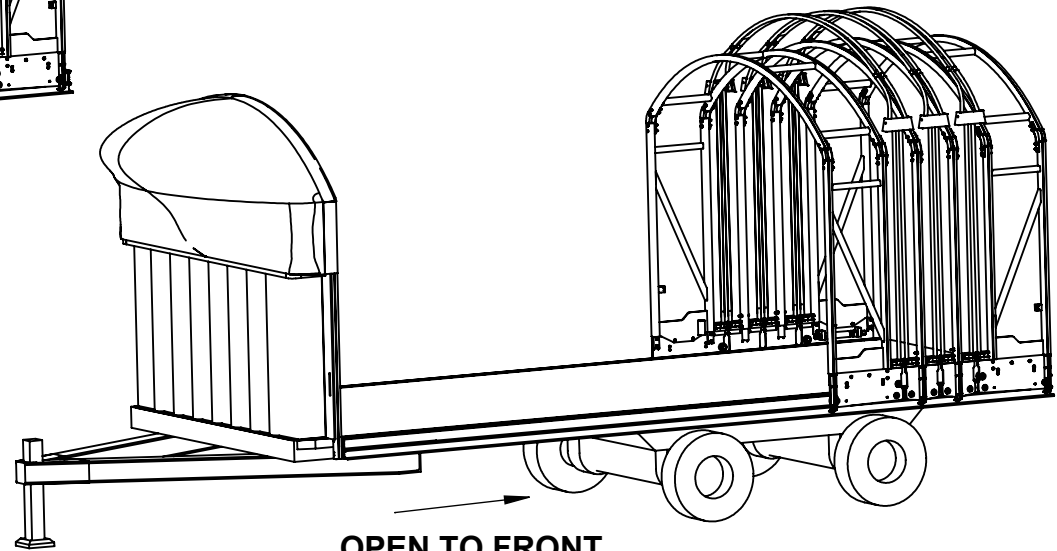


OPEN TO FRONT



CLOSED SYSTEM



OPEN TO FRONT

DRAWN BY	BALKARAN	COMMENTS:	TITLE:	REVISION #	LOAD COVERING SOLUTIONS. 1052 Clinton Street Buffalo, NY 14206 Phone: 1-877-790-5665 Fax: 1-877-345-5623 USA
MODIFIED DATE	12/30/2024	ALL UNITS ARE IN INCHES UNLESS OTHERWISE STATED	21'-26' LONG BUMPER PULL TRAILER 3 PANEL SYSTEM (2 WAY)	SHEET FORMAT	
CREATED DATE	12/30/2024	MATERIAL SPECS:	FILE NAME:	SHEET SCALE	1:96
MATERIAL		CONFIGURATION: OPEN TO FRONT	FINAL ASSYCCZXVCC	WEIGHT	
MTR-PRT #	-	THE INFORMATION CONTAINED IN THIS DRAWING IS THE SOLE PROPERTY OF LOAD COVERING SOLUTIONS LTD. BURLINGTON, ON. ANY REPRODUCTION IN PART OR AS A WHOLE WITHOUT THE WRITTEN PERMISSION OF LOAD COVERING SOLUTIONS LTD. BURLINGTON, ON IS PROHIBITED.	LCS PART #	PRICE	-
THICKNESS	LOT SIZE			PAGE	2 OF 2
					LOAD COVERING SOLUTIONS. 5499 Harvester Road Burlington, ON L7L 5V4 Toll Free: 1-(800) 465-8277 Local: (905) 335-2012 Canada

