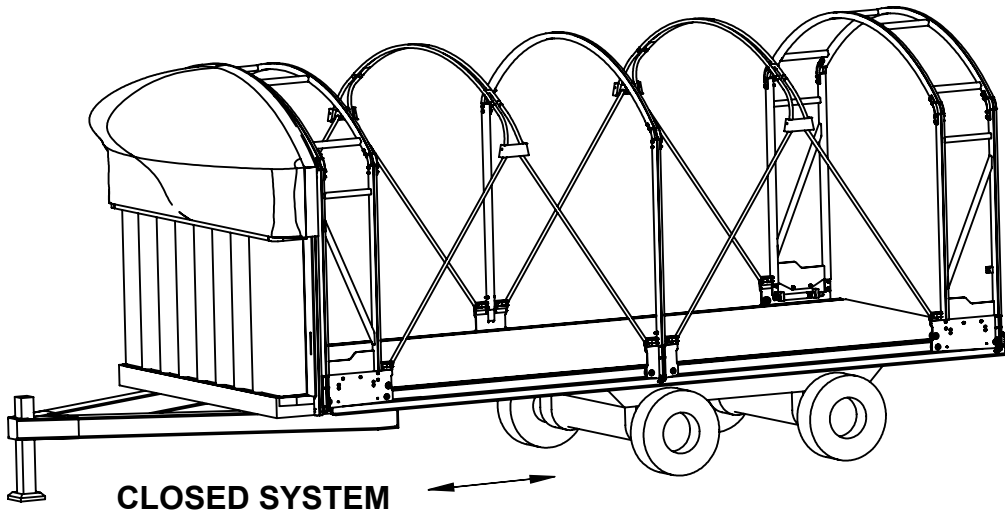
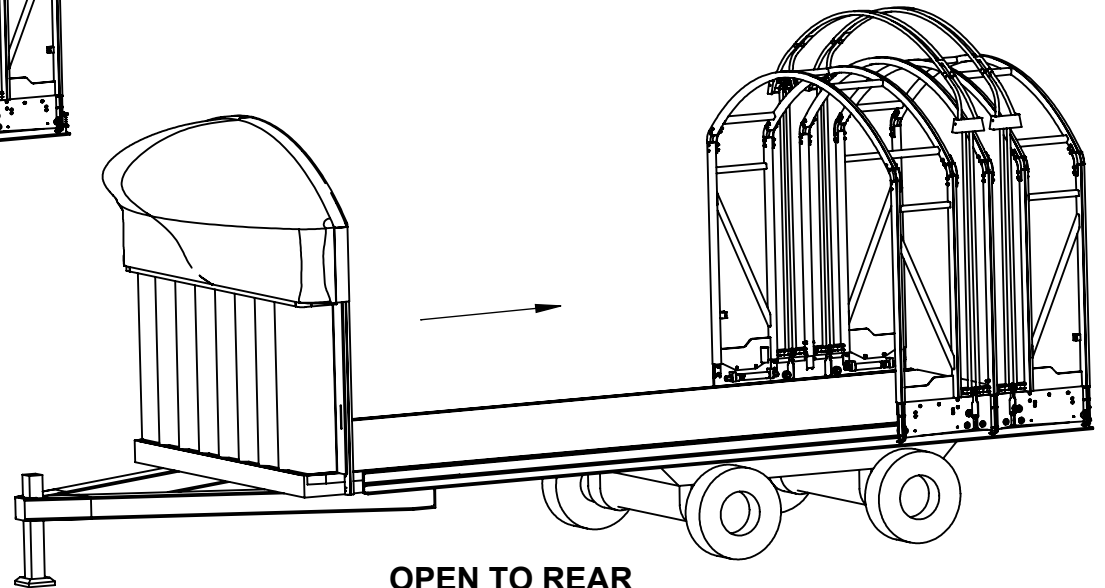


**OPEN TO FRONT**



**CLOSED SYSTEM**



**OPEN TO REAR**

<b>DRAWN BY</b>	BALKARAN	<b>COMMENTS:</b>	<b>TITLE:</b>	<b>REVISION #</b>	<b>LOAD COVERING SOLUTIONS.</b> 1052 Clinton Street Buffalo, NY 14206 Phone: 1-877-790-5665 Fax: 1-877-345-5623 USA
<b>MODIFIED DATE</b>	12/30/2024	ALL UNITS ARE IN INCHES UNLESS OTHERWISE STATED	<b>20' LONG BUMPER PULL TRAILER</b>	<b>SHEET FORMAT</b>	
<b>CREATED DATE</b>	12/30/2024	<b>MATERIAL SPECS:</b>	<b>2 PANEL SYSTEM (2 WAY)</b>	<b>SHEET SCALE</b>	1:96
<b>MATERIAL</b>		<b>CONFIGURATION: OPEN TO FRONT</b>	<b>FILE NAME:</b>	<b>WEIGHT</b>	<b>LOAD COVERING SOLUTIONS.</b> 5499 Harvester Road Burlington, ON L7L 5V4 Toll Free: 1-(800) 465-8277 Local: (905) 335-2012 Canada
<b>MTR-PRT #</b>	-	THE INFORMATION CONTAINED IN THIS DRAWING IS THE SOLE PROPERTY OF LOAD COVERING SOLUTIONS LTD. BURLINGTON, ON. ANY REPRODUCTION IN PART OR AS A WHOLE WITHOUT THE WRITTEN PERMISSION OF LOAD COVERING SOLUTIONS LTD. BURLINGTON, ON IS PROHIBITED.	<b>FINAL ASSY</b>	<b>PRICE</b>	
<b>THICKNESS</b>	<b>LOT SIZE</b>	-	<b>LCS PART #</b>	<b>PAGE</b>	1 OF 1

